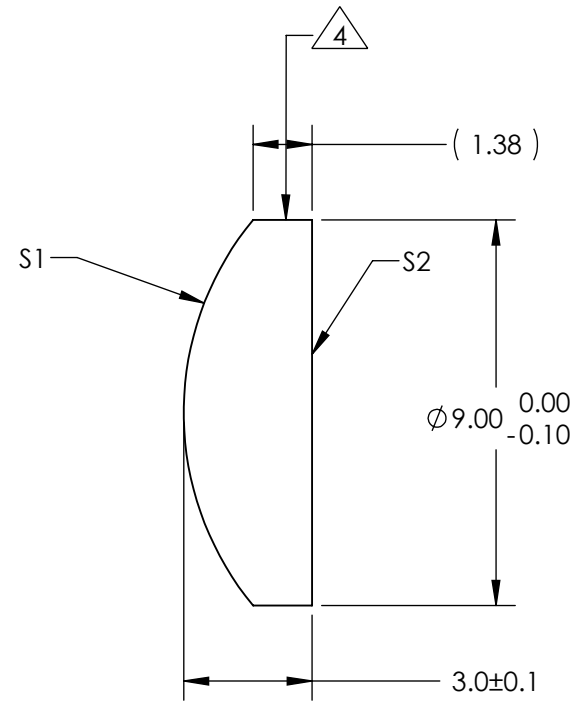



1. ALLOWABLE OPTICAL MATERIAL: GRADE A FINE ANNEALED  
SCHOTT: SF11 785/258
  2. CENTERING TOLERANCE:  
BEAM DEVIATION: 3-5 arc min.
  3. COATING (APPLY ACROSS COATING APERTURE)  
S1: NONE  
S2: NONE
- △ FINE GROUND SURFACE
5. FOCAL LENGTH TOLERANCE:  $\pm 1\%$



**FOR INFORMATION ONLY:  
DO NOT MANUFACTURE PARTS TO THIS DRAWING**

	S1	S2			 <b>Edmund Optics<sup>®</sup></b>	
SHAPE	CONVEX	PLANO	EFL (AT 587.6nm)	9.00		
RADIUS	7.06	INFINITY	BFL (AT 587.6nm)	7.32	DWG NO	45081
SURFACE QUALITY	40-20	40-20	ALL DIMS IN	mm		
CLEAR APERTURE	$\geq 8.10$	$\geq 8.10$				
BEVEL MAX FACE	$0.25\text{mm} \times 45^\circ$	$0.25\text{mm} \times 45^\circ$				