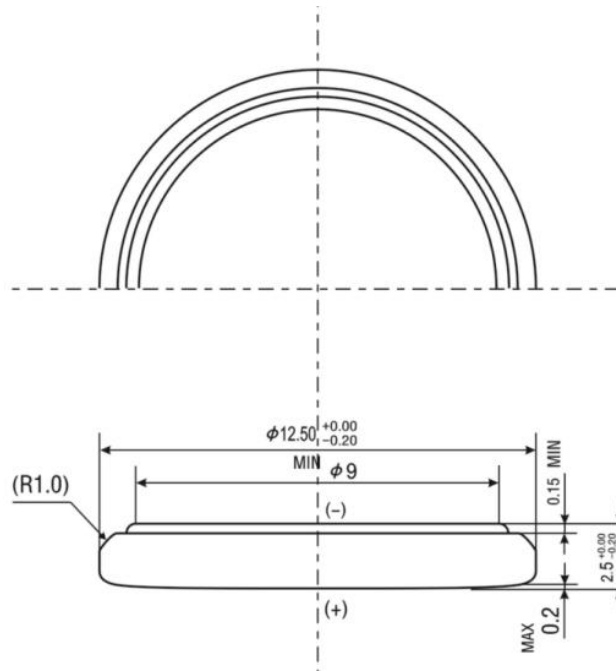


Model Number: CR1225-50mAh

Chemical System: Li / MnO₂

1. Dimensions (Unit:mm)



2. Nominal specification and Characteristics

Item	Technical parameters	Conditions
Nominal voltage	3.0 V	Apply to all CR batteries
Nominal capacity	50mAh	Continuous discharge with load 30K Ω , till 2.0V end-voltage at 20 \pm 2 $^{\circ}$ C.
Instantaneous short-circuit current	≥ 100 mA	Time ≤ 0.5 s
Open-circuit voltage	3.20-3.45V	No load test
Storage temperature	0-30 $^{\circ}$ C	Apply to all CR batteries
Operate temperature	-20-60 $^{\circ}$ C	Apply to all CR batteries
Weight	0.9g (approx)	
Self-discharge rate	$\leq 3\%$ / year	Annual mean
Fast test life	New cell	Load 6.8K Ω , till 2.0V end-voltage at 20 \pm 2 $^{\circ}$ C, relative humidity $\leq 75\%$.
	12 M.	

3. Performance test

Item	Test method	Standard
Dimension	With vernier caliper (tolerance $\leq 0.02\text{mm}$) test, paste on the surface of the caliper contact insulation materials, don't short circuit.	Diameter(mm): 12.50 (-0.2) height(mm): 2.50 (-0.2)
Open-circuit	With multimeter or voltmeter.	3.20-3.45V
Short-circuit current	With multimeter or amperemeter, test time not more than 0.5 second, must avoid repeating test, test interval shall be more than 0.5 hours.	$\geq 100\text{mA}$
Appearance	Visual inspection.	Clean, clear and correct mark, no rusting, no leakage
Fast test capacity	At $20\pm 2^\circ\text{C}$, humidity $\leq 75\%$, with load $6.8\text{K}\Omega$, till 2.0V end-voltage.	$\geq 113\text{hrs}$
Vibration test	Vibration 1 hour on a vibration machine, with frequency is 100 to 150 times/min.	Stable performance
High temperature test	Store 30 days at $45\pm 2^\circ\text{C}$.	Leakage rate $\leq 1\text{‰}$
Over-discharge test	When terminated voltage is 2.0V, continuously discharge load for 5 hours.	No leakage

4. Discharge characteristic

