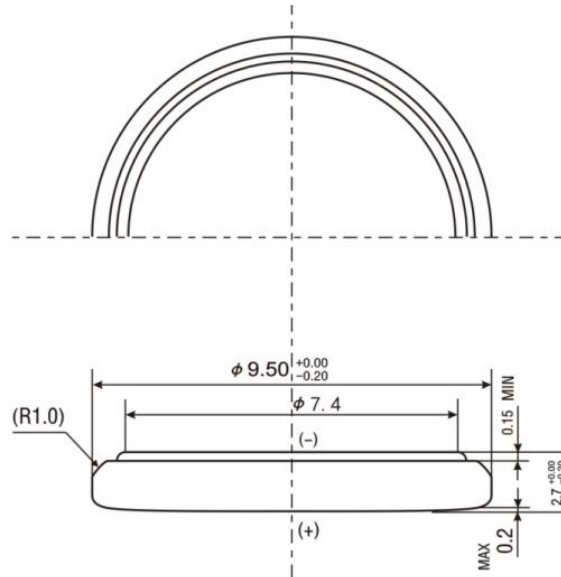


**Model Number: CR927-28mAh**

**Chemical System: Li / MnO<sub>2</sub>**

**1. Dimensions (Unit:mm)**



**2. Nominal specification and Characteristics**

Item	Technical parameters	Conditions
Nominal voltage	3.0 V	Apply to all CR batteries
Nominal capacity	28mAh	Continuous discharge with load 68K $\Omega$ , till 2.0V end-voltage at 20 $\pm$ 2 $^{\circ}$ C.
Instantaneous short-circuit current	$\geq 80$ mA	Time $\leq 0.5$ s
Open-circuit voltage	3.20-3.45V	No load test
Storage temperature	0-30 $^{\circ}$ C	Apply to all CR batteries
Operate temperature	-20-60 $^{\circ}$ C	Apply to all CR batteries
Weight	0.55g (approx)	
Self-discharge rate	$\leq 3\%$ / year	Annual mean
Fast test life	New cell	Load 10K $\Omega$ , till 2.0V end-voltage at 20 $\pm$ 2 $^{\circ}$ C, related humidity $\leq 75\%$ .
	12 M.	
Service Life At 20 $\pm$ 2 $^{\circ}$ C	New cell	Load 68.0K $\Omega$ , till 2.0V end-voltage.
	12 M.	

### 3. Performance test

Item	Test method	Standard
Dimension	With vernier caliper (tolerance $\leq 0.02\text{mm}$ ) test, paste on the surface of the caliper contact insulation materials, don't short circuit.	Diameter(mm): 9.50 (-0.2) height(mm): 2.70 (-0.2)
Open-circuit	With multimeter or voltmeter.	3.20-3.45V
Short-circuit current	With multimeter or amperemeter, test time not more than 0.5 second, must avoid repeating test, test interval shall be more than 0.5 hours.	$\geq 80\text{mA}$
Appearance	Visual inspection.	Clean, clear and correct mark, no rusting, no leakage
Fast test capacity	At $20\pm 2^\circ\text{C}$ , humidity $\leq 75\%$ , with load $10\text{K}\Omega$ , till 2.0V end-voltage.	$\geq 93.3\text{hrs}$
Vibration test	Vibration 1 hour on a vibration machine, with frequency is 100 to 150 times/min.	Stable performance
High temperature test	Store 30 days at $45\pm 2^\circ\text{C}$ .	Leakage rate $\leq 1\text{‰}$
Over-discharge test	When terminated voltage is 2.0V, continuously discharge load for 5 hours.	No leakage

### 4. Discharge characteristic

