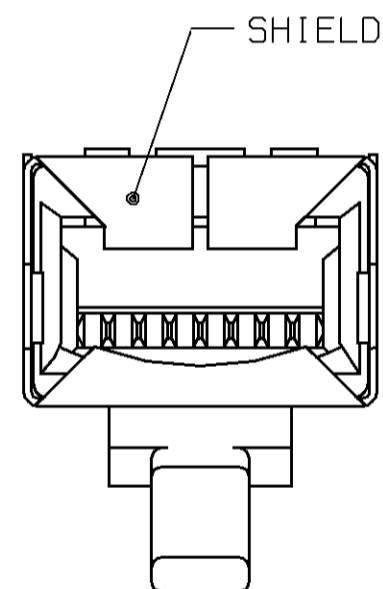
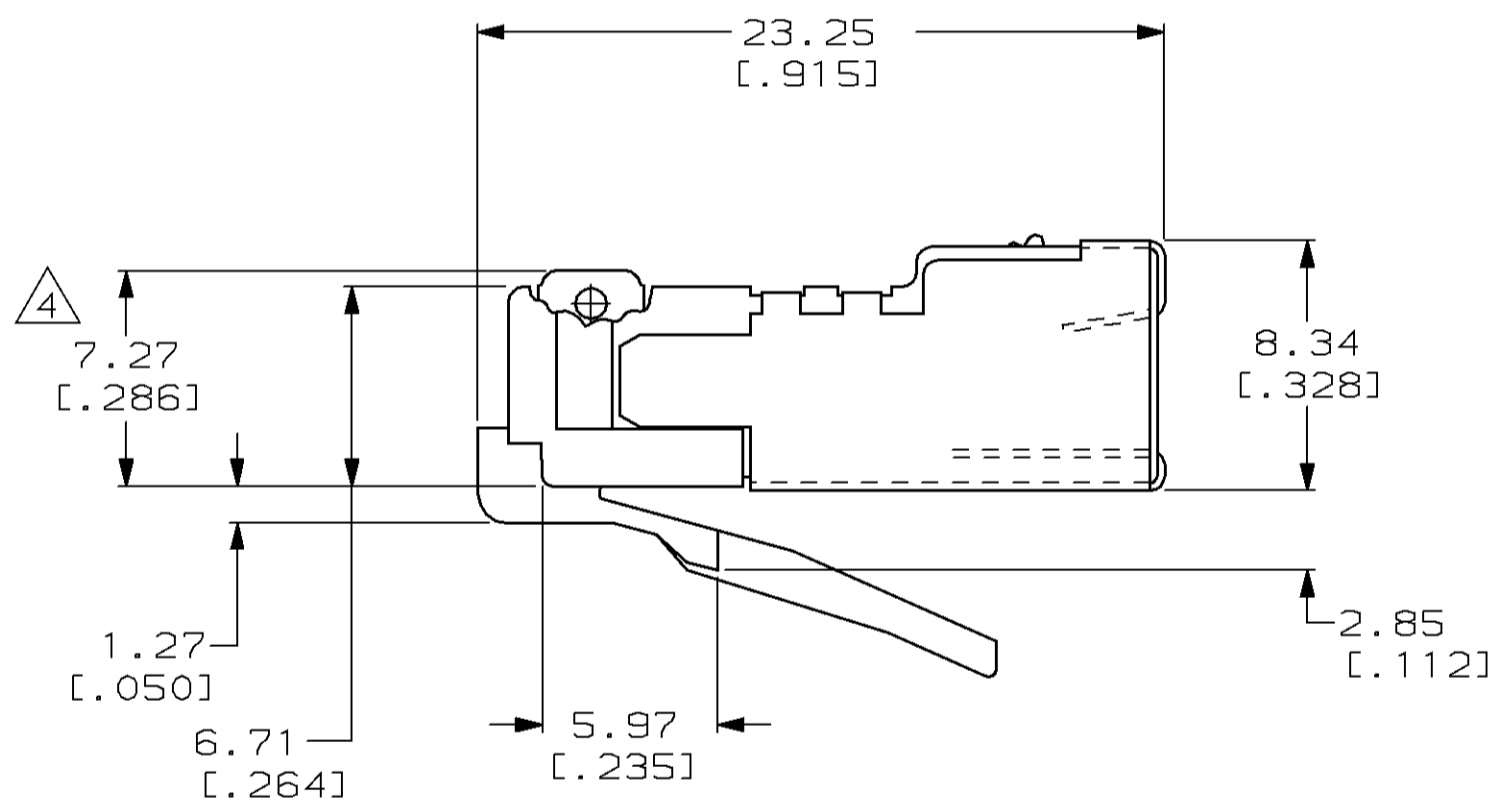
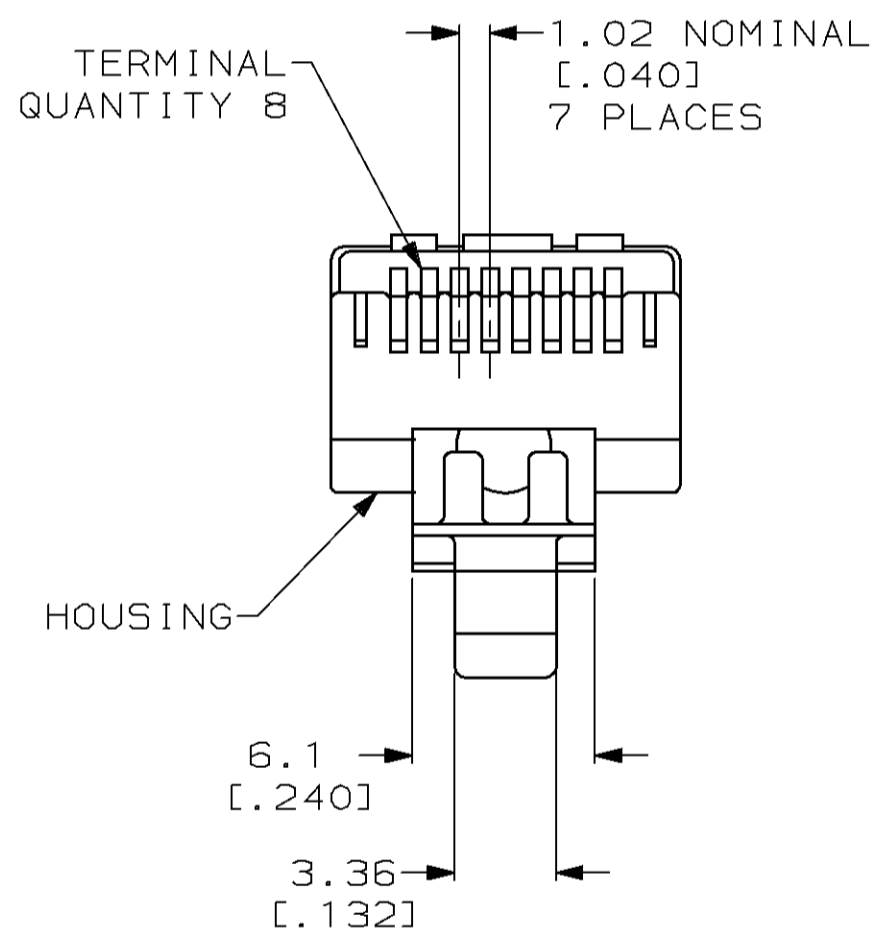
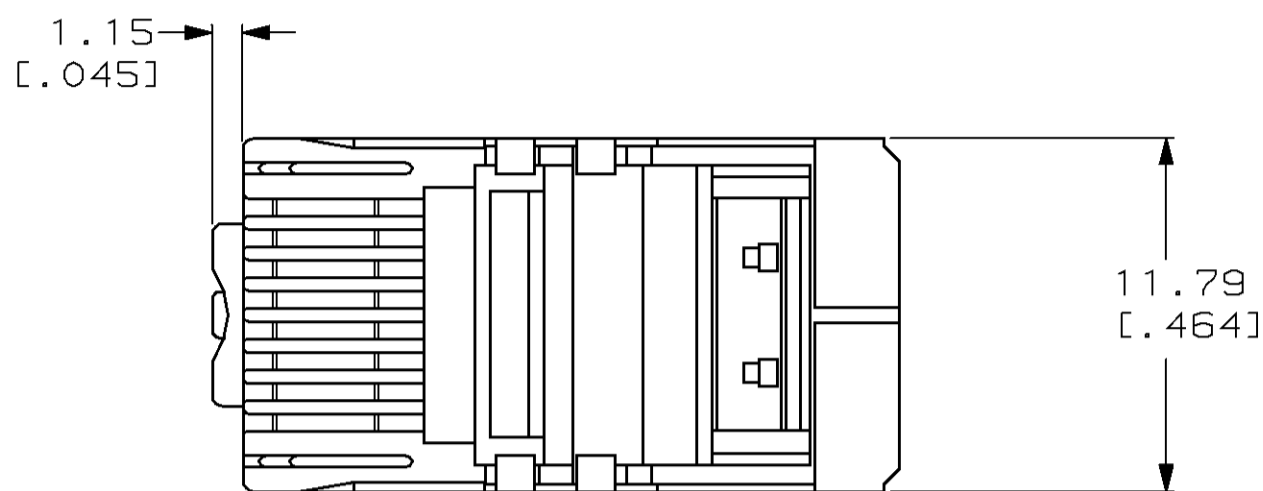


THIS DRAWING IS UNPUBLISHED. RELEASED FOR PUBLICATION
 © COPYRIGHT 19 BY AMP INCORPORATED. ALL RIGHTS RESERVED.

LOC	DIST	REVISIONS					
		P	LTR	DESCRIPTION	DATE	DWN	APVD
AA	22	0		RLSD; NPR C95-166	10-06-95	GG	CW

- 1. DIMENSIONS ARE MAXIMUM UNLESS OTHERWISE SPECIFIED.
- 2. MATERIAL: HOUSING-POLYCARBONATE, CLEAR
 TERMINAL- PHOSPHOR BRONZE, PLATED WITH 1.27µm [.000050] MINIMUM THICK GOLD IN LOCALIZED GOLD PLATE AREA, GOLD FLASH OVER THE REMAINDER, OVER 2.54µm [.000100] MINIMUM THICK NICKEL UNDERPLATE. SHIELD- COPPER ALLOY PLATED WITH 2.03µm [.000080] MINIMUM THICK TIN LEAD OVER 2.03µm [.000080] MINIMUM THICK COPPER UNDERPLATE.
- 3. PLUG WILL ACCEPT 24 OR 26 AWG SOLID WIRE, 0.74-0.99 [.029-.039] DIAMETER, WITH A 5.08 [.200] DIAMETER MAXIMUM JACKET.
- 4. TERMINATED DIMENSION 6.15 [.242] MAXIMUM.
- 5. PACKAGED 500 ASSEMBLIES PER CARTON.
- 6. PACKAGED 100 ASSEMBLIES PER BOX.
- 7. PACKAGED 25 ASSEMBLIES PER POLYBAG.



7	5-569530-4
6	5-569530-3
5	5-569530-2
PACKAGED	PART NO.

THIS DRAWING IS A CONTROLLED DOCUMENT FOR AMP INCORPORATED. IT IS SUBJECT TO CHANGE AND THE CONTROLLING ENGINEERING ORGANIZATION SHOULD BE CONTACTED FOR THE LATEST REVISION.		DWN G. GARRETT 10-06-95	AMP Incorporated Harrisburg, PA 17105-3608																						
DIMENSIONS: mm [INCHES]		CHK C. WHITT 10-30-95	NAME MODULAR PLUG ASSEMBLY, 8 POSITION, SHIELDED, ROUND CABLE, SOLID WIRE																						
TOLERANCES UNLESS OTHERWISE SPECIFIED:		APVD E. LAURER 11-6-95																							
<table border="0"> <tr><td>0 PLC</td><td>±</td><td>1</td></tr> <tr><td>1 PLC</td><td>±</td><td></td></tr> <tr><td>2 PLC</td><td>±</td><td></td></tr> <tr><td>3 PLC</td><td>±</td><td></td></tr> <tr><td>4 PLC</td><td>±</td><td></td></tr> <tr><td>ANGLES</td><td>±</td><td></td></tr> <tr><td>FINISH</td><td>±</td><td></td></tr> </table>		0 PLC	±	1	1 PLC	±		2 PLC	±		3 PLC	±		4 PLC	±		ANGLES	±		FINISH	±		PRODUCT SPEC 108-1163	SIZE A2	CAGE CODE 00779
0 PLC	±	1																							
1 PLC	±																								
2 PLC	±																								
3 PLC	±																								
4 PLC	±																								
ANGLES	±																								
FINISH	±																								
MATERIAL		APPLICATION SPEC 114-6016	DRAWING NO C-569530	SCALE 4:1																					
<table border="0"> <tr><td>1</td></tr> <tr><td>2</td></tr> </table>		1	2	WEIGHT -	SHEET 1 OF 1	REV 0																			
1																									
2																									
CUSTOMER DRAWING																									

569530